

LED High Bay Light

170LM/W

UFO08 60W-200W

SPECIFICATIONS



5 Years Warranty



CE RoHS



Specification

Model	SA-UFOA00-60W	SA-UFOA00-80W	SA-UFOA00-100W	SA-UFOA00-120W	SA-UFOA00-150W	SA-UFOA00-200W
PF	>0.95					
Input Voltage (V)	100-277VAC					
CRI	Ra70	Ra80	Ra70	Ra80	Ra70	Ra80
Efficacy (lm/W)±5%	170	160	170	160	170	160
Lumen output±5%	10200	9600	13600	12800	17000	16000
CCT (K)	3000K/3500K/4000K/4500K/5000K/5700K					
Dimming	0~10V Dimming/DALI/Zigbee					
Intelligent Control	Motion Sensor/Daylight/PIR sensor					
Beam angle	60°/90°/120°					
Material	Body Aluminum+ PC Lens					
Operating Temperature	-40°C to 50°C					
Humidity	10% - 90%					
Installation	Ring Mounted					
LED Type	2835					
Power Supply	MW / Moso / Sosen / Philips					
Surge Protection	4kV line-line, 6kV line-earth					
Certification	CE/RoHS					
IP Rate	IP65					
Warranty	5 Years					

SA-UFOA00-XXXY-XXXX-AZ[XX]

SA-UFO	A00	XXX	Y	XXXX	A	Z	XX
Series	Voltage	Power	CCT	Lens	Versions Driver	Driver manufacturer	Mounting
SA-UFO	100-277V	60W 80W 100W 120W 150W 200W	N 3000K M 3500K L 4000K K 4500K C 5000K H 5700K	R060 Lens 60° R090 Lens 90° R120 Lens 120°	"A" The one generation	Q5 Happsky Driver / Xi Philips Driver / Blank Do not show driver manufacturer	Blank Rings, BM Bracket, BBM Rings and Bracket.

Description:

Model name description: SA-UFOA00-200Y-RXXX-A.

"SA" indicates the name of company producing the product;

"UFO" indicates the product is a LED High Bay;

"A00" indicates the voltage of the product;

"200" indicates the power of the product;

"Y" indicates the colour temperature of the product ;

Where the "Y" can be N=3000K, M=3500K, L=4000K, K=4500K, C=5000K, H=5700K represents color temperature ;

Where XXXX represent light angle, it can be R060,R090,R120;

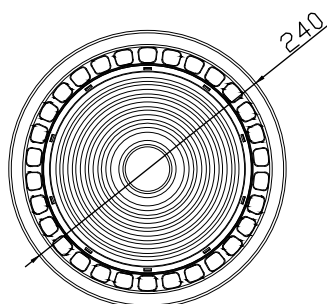
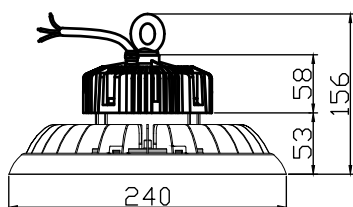
"A" indicates the shape size;

"Z" indicates the driver manufacturer, Blank indicates Moso driver manufacturer.

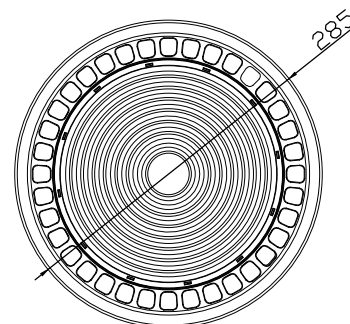
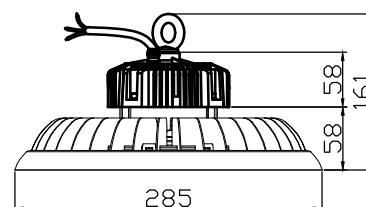
Packing

Model No.	Power	Size(mm)	Carton Size(mm)	G.W/1PCS±0.2KG
SA-UFOA00-60Y-XXXX-A	60W	Φ240xH156	L290xW290xH165	2.1KG
SA-UFOA00-80Y-XXXX-A	80W	Φ240xH156	L290xW290xH165	2.2KG
SA-UFOA00-100Y-XXXX-A	100W	Φ240xH156	L290xW290xH165	2.3KG
SA-UFOA00-120Y-XXXX-A	120W	Φ285xH161	L320xW320xH185	2.7KG
SA-UFOA00-150Y-XXXX-A	150W	Φ285xH161	L320xW320xH185	2.8KG
SA-UFOA00-200Y-XXXX-A	200W	Φ310xH163	L380xW380xH185	3.4KG

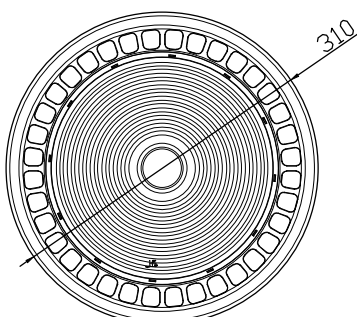
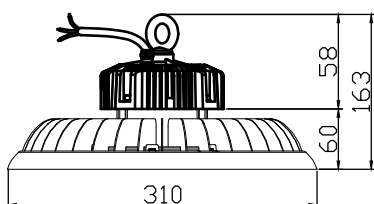
Specification



60-100W



120/150W

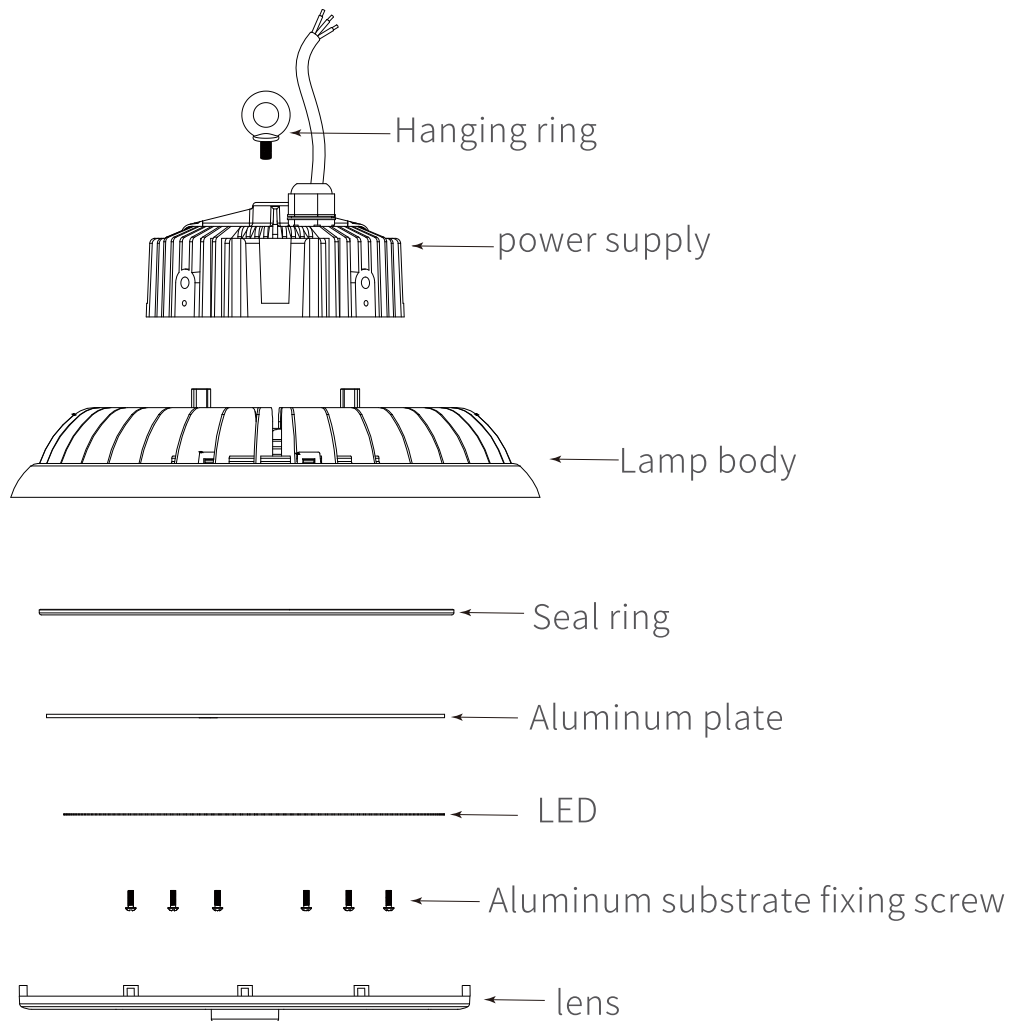


200W

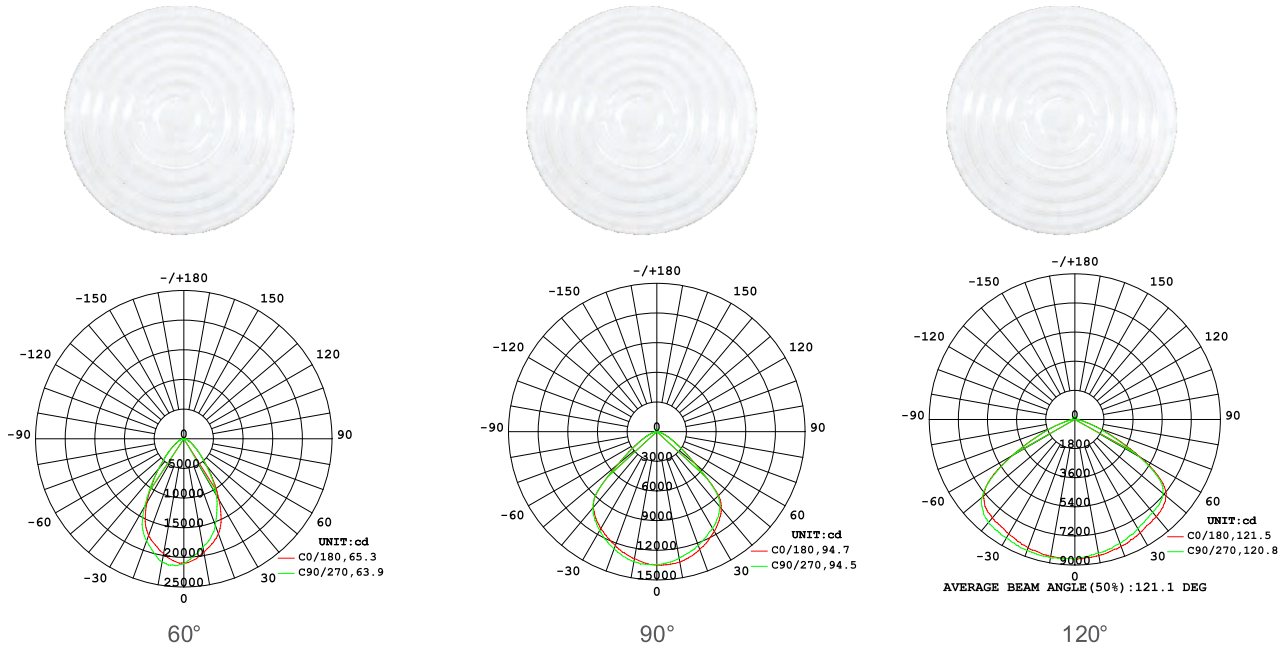
Structure Performance

Dimension: LxHxW(mm)	Φ240xH156/Φ285xH161/Φ325xH189/Φ310xH163
Housing:	Aluminum
Cover:	Transparent PC
Cable Length:	300mm
IP Rate:	IP 65
IK Rate:	IK 10

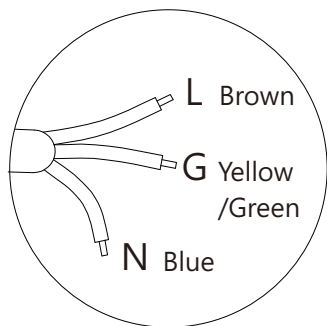
Structure drawing



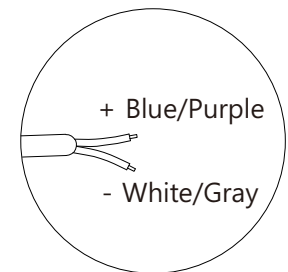
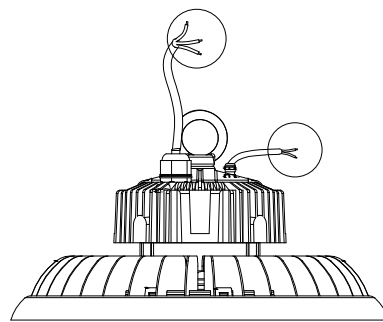
Beam angle



Wiring diagram

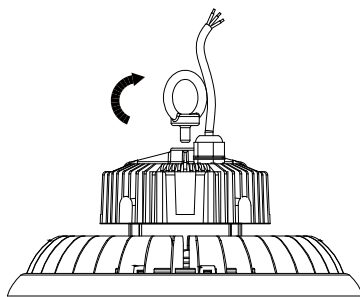


AC

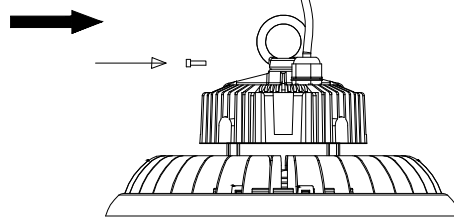


DIM

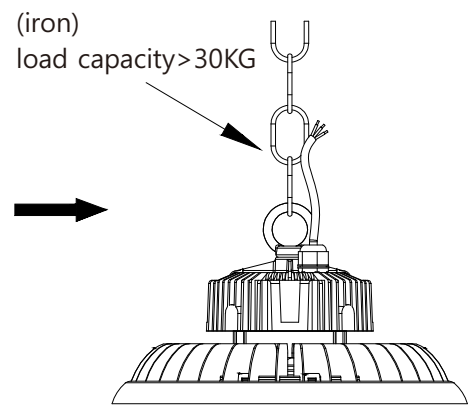
Installation



1 Lock ring



2 Tighten the screw fix the ring



3 Hang on the hook

(iron)
load capacity > 30KG

Regular Safety Test

Test Item	Structure Classification	Testing Conditions	Testing parameters	Testing Time	Limiting Value
Hipot Test	■class I	input-shell	1000+2U(AC)	1min	10mA Max.
	□class II	input-shell	2000+4U(AC)	1min	10mA Max.
	□class III	input-shell	500Vac	1min	10mA Max.
Insulation Resistance	■class I	input-shell	500Vdc	1min	2MΩ Min.
	□class II	input-shell	500Vdc	1min	4MΩ Min.
	□class III	input-shell	100Vdc	1min	1MΩ Min.
Leakage Current	■class I	input-shell	220V/50Hz	10S	0.5mA Max.
	□class II	input-shell	220V/50Hz	10S	1.0mA Max.
Ground Resistance	■class I	Grounding wire-metal shell	10A	1min	500mΩ Max.

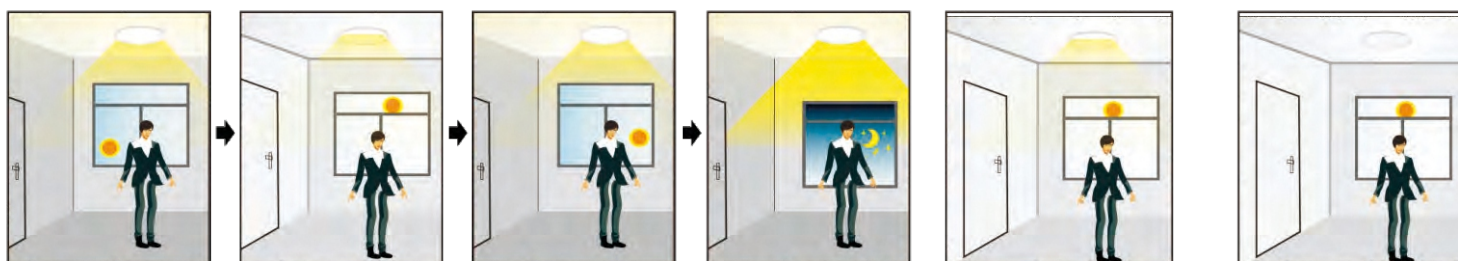
Product Certification

Certification Categories	Conform to the Standard Specification	MeetCertified	Certified
CCC	GB 7000.1; GB 7000.201; GB17743; GB17625.1	√	√
CQC	GB 7000.1; GB 7000.201; GB17743; GB17625.1; GB 18595	√	√
CE	EN 60598-1; EN60598-2-1; EN62493; EN55015; EN 61000-3-2; EN61000-3-3; EN61547; EN62471	√	√
UL	UL 1598; UL1993;UL8750; UL1598C	√	√
RCM	SAA 60598.1; SAA 60598.2.1; CISPR 15		
RoHS	2011/65/EU directive (RoHS 2.0)	√	√
ERP	Reg.1194/2012/EC & EU (NO) 874/2012/EC	√	√
DLC	DLC Technical Requirements Table, V3.0	√	√
Energy Star	ENERGY STAR® Program Requirements Product Specification for Luminaires (Light Fixtures) Eligibility Criteria Version 2.0	√	√



Light compensation

According to the setting, the illuminance can be automatically adjusted while the external environment changes.



The lamp lights on 100% illumination or dims to maintain the preset illumination level against ambient light.

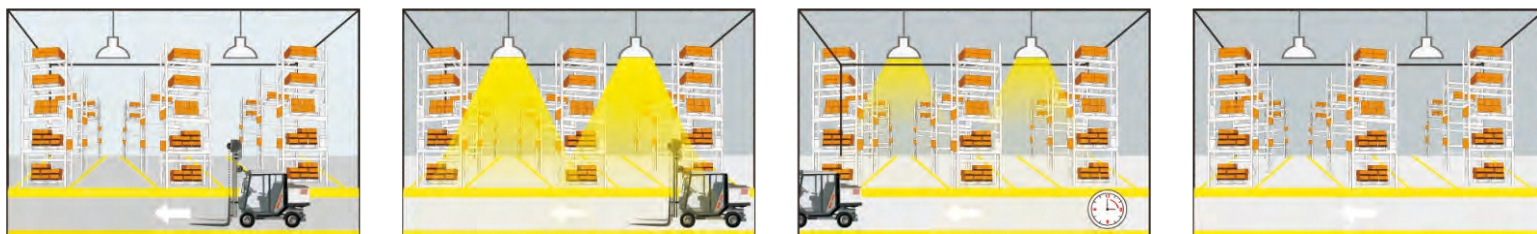
The lamp dims to minimum light level but never turn off even if with sufficient ambient light.

Users can switch off the light manually.



Microwave Motion Sensor

Automatically open when people walk in, when the person leaves, can be set to save 10%, 20%, 50% mode is on or automatically close after a while.



Before passing
Extinguished

Going through
Light up

After leaving
Save 10%,20%,50%

No one passed
Automatically shut down