

LED Street Light

190lm/w



Street Light E Series

5 Years Warranty

Specification

Power	20W	30W	40W	50W	60W	70W
Input Voltage (V)	100-240VAC					
PF	>0.95					
CRI	70	80	70	80	70	80
Efficacy (lm/W)±5%	190	185	190	185	190	185
Lumen Output±5%	3800	3700	5700	5550	7600	7400
CCT (K)	3000K/3500K/4000K/4500K/5000K/5700K/6000K					
Dimming	Non-Dimming/ 0-10V Dimming					
Intelligent Control	Photocell/DALI Control					
Beam Angle	Type II / Type III / Type IV					
Material	Die-Cast + PC+Glass					
Operating Temperature	-40°C~45°C					
Humidity	10%~90%					
Installation	POLE- φ 32mm		POLE- φ 48mm		POLE- φ 60mm	
LED Type	5050					
Power Supply	SOSEN					
Surge Protection	4kV line-line, 6kV line-earth					
IP Rate	IP 66					
Warranty	5 Years					

Packing

Model No.	Power	Size (mm)	Carton Size (mm)	G.W / 1PCS±0.2KG
SA-STA00-20Y-XX-E	20W	L380*W160*H77	L385*W165*H100	1.7
SA-STA00-30Y-XX-E	30W	L380*W160*H77	L385*W165*H100	1.7
SA-STA00-40Y-XX-E	40W	L380*W160*H77	L385*W165*H100	1.8
SA-STA00-50Y-XX-E	50W	L380*W160*H77	L385*W165*H100	1.8
SA-STA00-60Y-XX-E	60W	L380*W160*H77	L385*W165*H100	1.8
SA-STA00-70Y-XX-E	70W	L455*W200*H89	L460*W205*H110	2.6

Description:

Model name description: SA-STA00-20Y-XX-E

“SA” indicates the name of company producing the product;

“ST” indicates the product is a LED Street Light;

“A00” indicates the voltage of the product;

“20” indicates the power of the product, it can be 20、30、40、50、60、70、80、90、100、120W;

“Y” indicates the colour temperature of the product. “Y” can be N=3000K, M=3500K, L=4000K, K=4500K, C=5000K, H=5700K represents color temperature;

Where “XX” represent light angle, it can be T I, T II, T III, T IV ;

“E” indicates the shape size.

Specification

Power	80W		90W		100W		120W	
Input Voltage (V)	100-240VAC							
PF	>0.95							
CRI	70	80	70	80	70	80	70	80
Efficacy (lm/W)±5%	190	185	190	185	190	185	190	185
Lumen Output±5%	15200	14800	17100	16650	19000	18500	22800	22200
CCT (K)	3000K/3500K/4000K /4500K/5000K/5700K							
Dimming	Non-Dimming/ 0-10V Dimming							
Intelligent Control	Photocell/DALI Control							
Beam Angle	Type II / Type III / Type IV							
Material	Die-Cast + PC+Glass							
Operating Temperature	-40°C~45°C							
Humidity	10%~90%							
Installation	POLE- φ 30mm		POLE- φ 50mm		POLE- φ 60mm			
LED Type	5050							
Power Supply	SOSEN							
Surge Protection	4kV line-line, 6kV line-earth							
IP Rate	IP 66							
Warranty	5 Years							

Packing

Model No.	Power	Size (mm)	Carton Size (mm)	G.W / 1PCS±0.2KG
SA-STA00-80Y-XX-E	80W	L455*W200*H89	L460*W205*H110	2.6
SA-STA00-90Y-XX-E	90W	L455*W200*H89	L460*W205*H110	2.6
SA-STA00-100Y-XX-E	100W	L455*W200*H89	L460*W205*H110	2.6
SA-STA00-120Y-XX-E	120W	L455*W200*H89	L460*W205*H110	2.9

Description:

Model name description: SA-STA00-20Y-XX-E

“SA” indicates the name of company producing the product;

“ST” indicates the product is a LED Street Light;

“A00” indicates the voltage of the product;

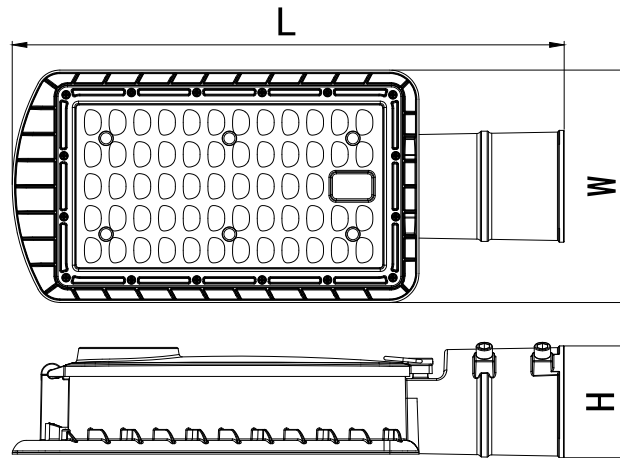
“20” indicates the power of the product, it can be 20、30、40、50、60、70、80、90、100、120W;

“Y” indicates the colour temperature of the product. “Y” can be N=3000K,M=3500K,L=4000K,K=4500K,C=5000K,H=5700K represents color temperature;

Where “XX” represent light angle, it can be T I, T II, T III, T IV ;

“E” indicates the shape size.

Dimensions



Model	SA-STA00 -20Y-XX-E	SA-STA00 -30Y-XX-E	SA-STA00 -40Y-XX-E	SA-STA00 -50Y-XX-E	SA-STA00 -60Y-XX-E	SA-STA00 -70Y-XX-E	SA-STA00 -80Y-XX-E	SA-STA00 -90Y-XX-E	SA-STA00 -100Y-XX-E	SA-STA00 -120Y-XX-E
Watt(W)	20	30	40	50	60	70	80	90	100	120
Length(mm)	380(14.96In.)					455(17.91In.)				
Width(mm)	160(6.30In.)					200(7.87In.)				
Height(mm)	77(3.03In.)					89(3.50In.)				

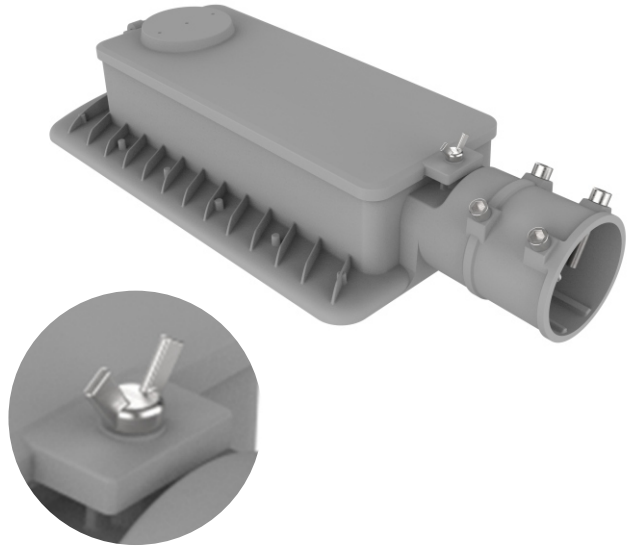
StructurePerformance

Housing	Die-Cast
Cover	PC
Cable Length	400mm
IP Rating	IP 66
IK Rating	IK 08

Smart Structure Free-tool Maintenance

It is separated by two parts. There is a screw at the roof cover, loose it and unlock the driver.

With this smart structure, only one person can finish it without any tools in one minute to maintain.



Beam angle

